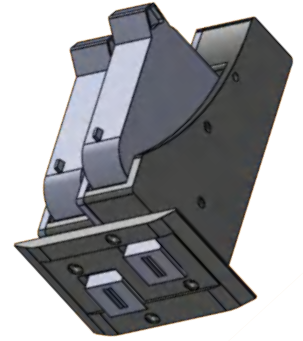


# EP



## Printing module features

Print height	EP-1	12.7mm
	.....	
	EP-4	50.8mm
Max Print speed	120m/min @ 300*150 DPI	
Print Resolution	150-600 DPI	
Print content	Text, Time, Image, Database, Counter, Variable Barcode, Julian date, shift code, Self-define time	
Barcode type	PDF417, QR CODE, DATAMATRIX, GS1, EAN8, EAN128, CODE25, CODE128, etc.	
Other	Simulation speed\Simulation sensor	



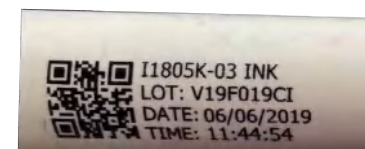
## Controller features

Interface type	USB/Sensor/Encoder/Warning Light/LAN/IO
Display screen	10 inch touch screen
Accessories (include)	Touch screen, 2m connection cable, Power, Print head, Sensor, Warning Light, Touch pen, Bracket
Accessories (optional)	Encoder



## Language

Menu language	English, Simplified chinese, Traditional chinese, Korean, Spanish, (will be more)
Print content language	English, Simplified chinese, Traditional chinese, Korean/Arabic, Spanish, Portuguese, Russian, Indonesian, French

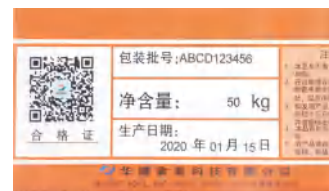


## Technical features

Max power	120W
Power	110-220VAC 50/60Hz
Temperature/humidity	5°C~35°C / 10%~90%
Weight	From 3.9kg

## Consumable

Ink Cartridge	42ml Ink cartridge. Including: water based, solvent based, multicolour, invisible, etc.
Ink supply	42ml+370ml Ink bag 500ml bulk ink supply



## Connection



\*Note: EP print heads only can use on EP controller.



Taizhou Oukelai Technologies Co. , Ltd

Tel : 0576-89603488 400tel : 400-180-7989

Website: www.ocaje.cn