

# Laser printer is within reach.

Simple integrated design ensures smooth integration into your production line, intuitive user interface and built-in wizard, which can significantly reduce operator training and make you master it quickly.

---

## High quality products, reasonable price

Provide high quality at a reasonable price to make laser technology universal.

---

## Precise design and flexible use

German technology and excellent component design ensure a reliable and high-quality system that can handle various application scenarios.



## Gainlaser UV 3 / 5 / 10W series specification / laser inkjet printer

Provide high-quality and reliable laser system, which is deeply trusted by customers in many countries / regions.



## UV 3 / 5 / 10W series specification / laser inkjet printer

### Endless possibilities and excellent technology

It allows you to automatically scan the data of multiple processes from the production line or from the external production line, so that you can easily complete the automatic inspection of multiple process data sources, such as th.



#### Communication software

Carry out data communication through serial port or network port, and bring its own single machine and dual machine coding software.



#### Visual culling

With its own visual communication protocol, users can choose this function for seamless integration.



#### Remote control

It can be linked to the host computer through Ethernet to realize remote operation in different places.



#### Degree of protection

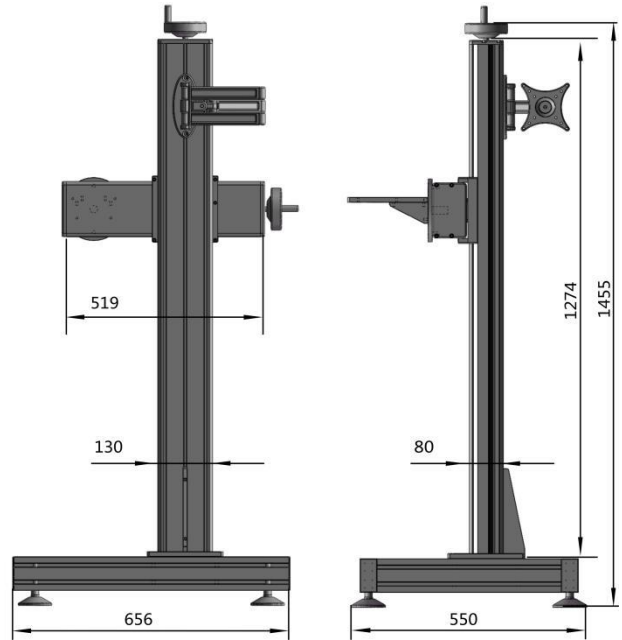
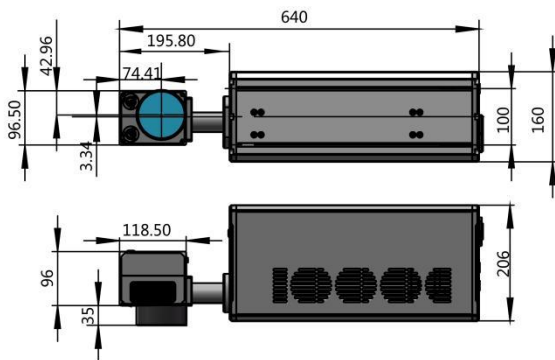
The overall protection grade of the controller reaches IP55.



◆ main technical parameters of UV series:

project	Parameter table	UV-3W	UV-5W	UV-10W
characteristic	Machine material	All aluminum sandblasting oxidation		
	Laser	The service life is more than 20000-30000 hours		
	Laser wavelength	355nm		
	output power	≥4.2W	≥6.5W	≥12W
	Marking speed	≤12000mm/s		
	controller	10.2 inch touch controller		
	Cooling system	Water cooling (with chiller)		
parameter	Focus lens	210mm		
	Minimum linewidth	0.01mm		
	Repetition accuracy	0.001mm		
	Marking range	110mm×110mm(optimal)		
	Positioning mode	Blue light indication		
	Number of rows	Any line within the marking range		
	Production line speed	0~130m/min (depending on the material)		
Software	Multilingual	English, Spanish, German, Chinese, Russian, Arabic, etc		
	jurisdiction	Multi user management authority		
	operating system	Linux system		
	Inkjet mode	Static, analog, encoder		
	Reserved signal	Start, print status, finish, fault		
	data protection	With power failure data protection energy		
	monitor	Provide overspeed alarm function		
	De crossing	Automatic removal of intersections		
	Coding software	Single and double machine code sending		
Support type	typeface	Chinese and English, numbers, traditional, etc		
	file format	BMP/DXF/HPGL/JPEG/PLT		
	bar code	CODE39、CODE128、CODE126、QR		
Servicing parameters	Power Supply	220V/50HZ		
	Power consumption	800W		
	Net weight of machine	40kg		
	Overall dimension	640mmX160mmX206mm		
environment	requirement	External temperature 0℃ — 45℃; humidity ≤95		

◆ Overall dimension:



## Take peace of mind as the standard

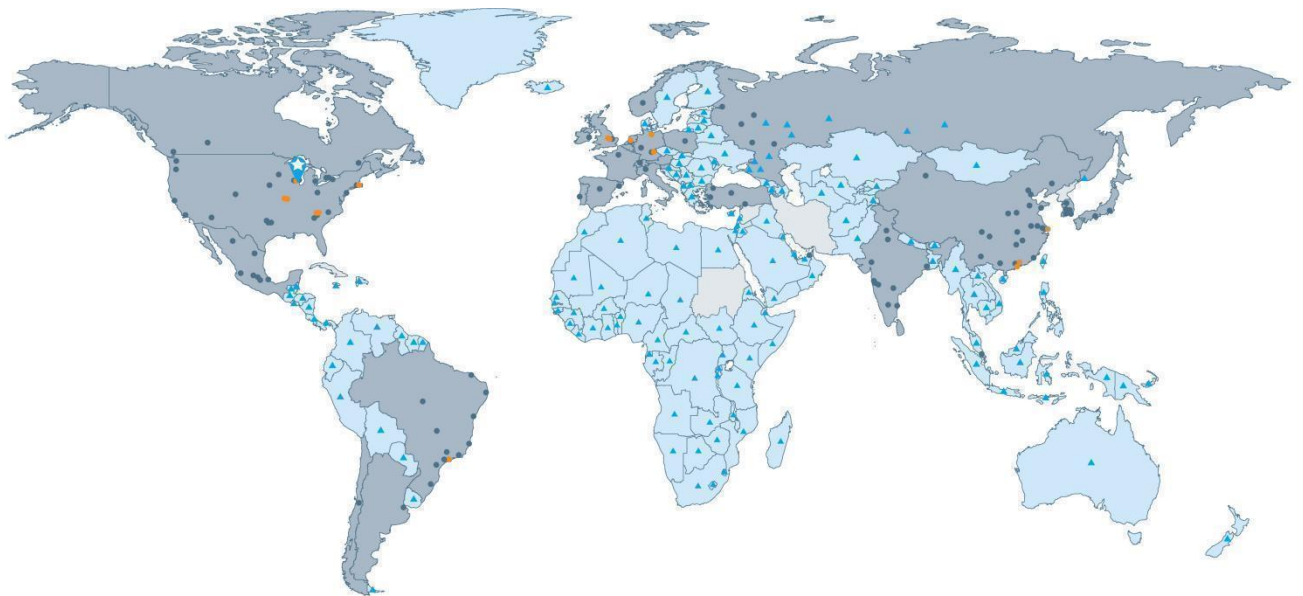
Concise - the large-scale "WYSIWYG" color touch screen provides intuitive icons and shortcuts to ensure user-friendly operation. And other security functions are fast and easy to use, and information loading and Ethernet access can be easily completed through the standard USB port.

It can meet your development needs and easily update your marking machine power without changing the whole system. High flexibility, laser scheme can process various workpieces (brittle, soft, hard, surface removed)

-3W: economic scheme, matched with conventional th production line.

-5W: multi purpose high-performance solution for high-speed th production line.

-10W: powerful scheme, suitable for applications requiring high speed and depth. It can be used for engraving.



Company: Tai zhou Oukel ai Technologi es Co. , Ltd  
Address: 8 Ngan Tai Ci ty, Ji aoji ang Di strict,  
Tai zhou  
Tel ephone: 400-180-7989  
Websi te: www. ocaj e. cn



contact us